

SPECIFICATION



Product name: UHF RFID Clip Tag

Item No.: LDR-TZ03

Version: V1.0

Date: 2020.06.27



Quick Details

LDR-TZ03 UHF RFID Clip Tag is designed as a mini clip. It is made of ABS material which is long lifespan, waterproof, re-usable and easy to clip. It can recognize and track by clipping on clothes, boxes etc.

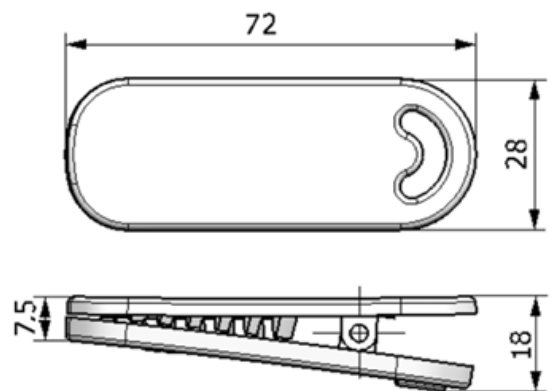
RFID Parameter

Model No.	LDR-TZ03
Type	Passive UHF RFID Clip Tag
Protocol	ISO/IEC 18000-6C, EPC Class1 Gen2
Frequency	Worldwide 840-960Mhz, US 902-928mhz, EU 865-868Mhz
Chip	NXP Ucode8
Memory	EPC 128bits, TID 48bits, User 0bits
Read&Write	Supported
Read Range	0.5-1m adjustable (reader and environment dependent)
Data retention	10years
Programming Cycles	100,000 cycles
Anti-collision	Yes

Physical Parameter

Size	72×28×18mm(L×W×T)
Color	Green (Other sizes can be customized)
Antenna Material	Aluminum Etching + PET
Surface Material	ABS Waterproof
Installation	Clip/Clamp
Operating Temperature	-20℃ ~ +60℃
Storage Time	2 years at 25℃ ± 5℃
Dustproof and waterproof	IP67
Package	100pcs/bag, 1000pcs/Carton, 11.1kg/ctn
Customized Service	Printing, EPC Pre-written

Details



Application

1. Athletics walking track;
2. Clothing tracking management;
3. Asset, document management;
4. Anything you need a clip.

Attention

1. Please avoid keeping the tag above the working temperature for a long time;
2. Avoid heavy pressure on the tag part;
3. Avoid soaking the tag in water for a long time.

US Standard (860~960Mhz)

