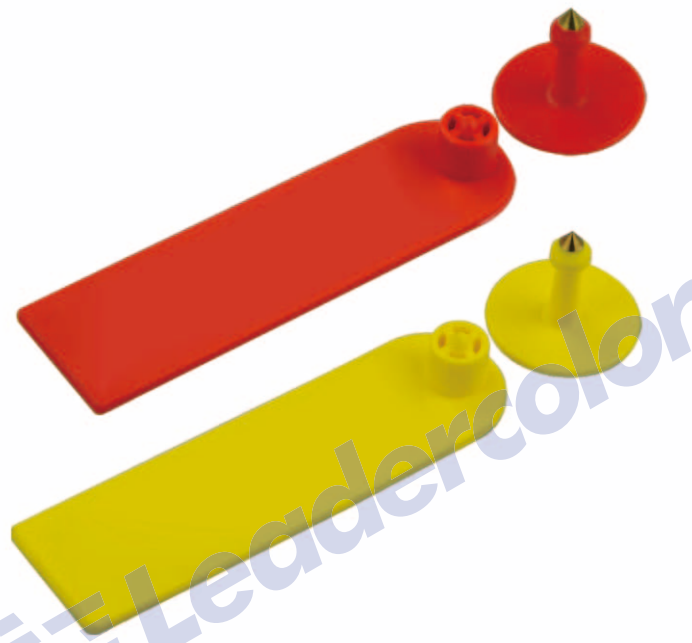


SPECIFICATION

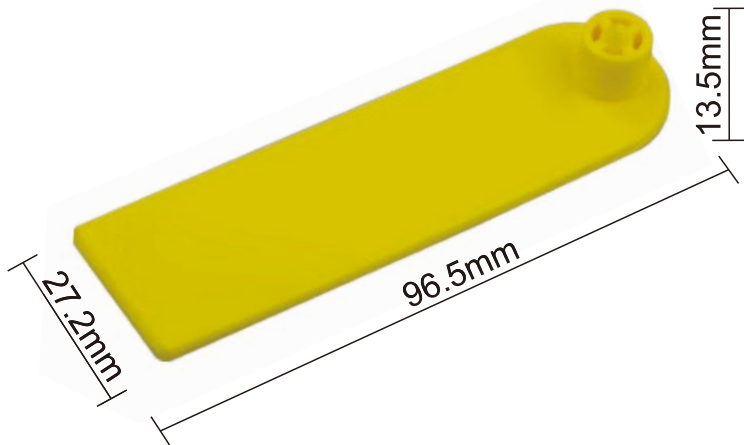


Product name: RFID Animal Ear Tag

Item No.: LDR-9627A

Version: V1.0

Date: 2019.11.25



Quick Details

LDR-9627A UHF RFID Strip Ear Tag characters in long reading range up to 10meters and flexible good quality material. It is designed for livestock management which is effective to keep tracking of livestock, such as cows, sheeps and deers. It helps ranchers to manage their sheeps easily and time-saving, not only on counting sheep numbers, but also record their vaccine, growth, weight and so on.

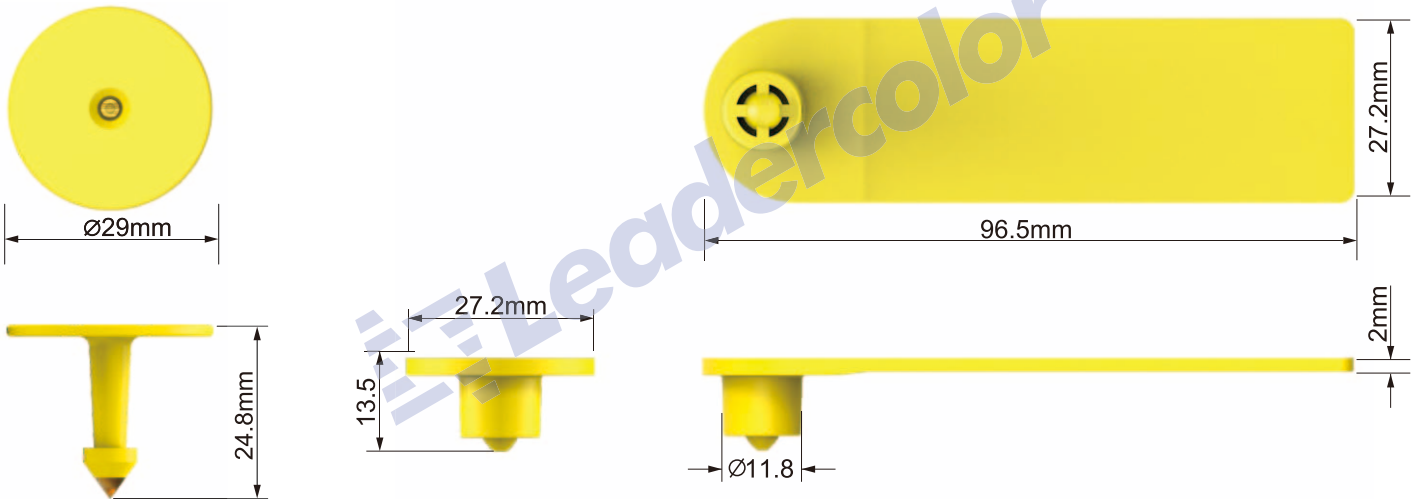
RFID Parameter

Model No.	LDR-9627A
Type	Passive UHF RFID Animal Tag
Protocol	ISO/IEC 18000-6C, EPC Class1 Gen2
Frequency	Worldwide 840-960Mhz
Chip	NXP Ucode 8
Memory	EPC 128bits / TID 48bits / User 0bits
Read&Write	Supported
Data retention	10years
Read Range	1-10m adjustable(reader and environment dependent)
Programming Cycles	100,000 cycles
Anti-collision	Support multiple tags reading



Can be customized color

Size



Installation



1. Put the tag in the ear tag applicator

2. Fasten the staple to the nail

3. Release marking completed

Application

- Livestock animal identification
- Sheep, pigs and dog's tracking
- Intelligent cow management

