

SPECIFICATION



Product name: RFID Animal Ear Tag

Item No.: LDR-2770A

Version: V1.0

Date: 2022.05.31



Quick Details

LDR-2770A UHF RFID Ear Tag is shaped in square with water-permeable cap which ensures tamper proof function and outflow of water and blood to avoid animal ear infection. It is designed for livestock management which is effective to keep tracking of livestock, such as cows, sheeps and deers. It helps ranchers to manage their sheeps easily and time-saving, not only on counting sheep numbers, but also record their vaccine, growth, weight and so on.

RFID Parameter

Model No.	LDR-2770A
Type	Passive UHF RFID Animal Tag
Protocol	ISO/IEC 18000-6C, EPC Class1 Gen2
Frequency	Worldwide 840-960Mhz
Chip	Ucode 8
Memory	EPC 128bits / TID 48bits / User 0bits
Read&Write	Supported
Data Retention	10years
Read Range	1-10m adjustable(reader and environment dependent)
Programming Cycles	100,000 cycles
Anti-collision	Support multiple tags reading

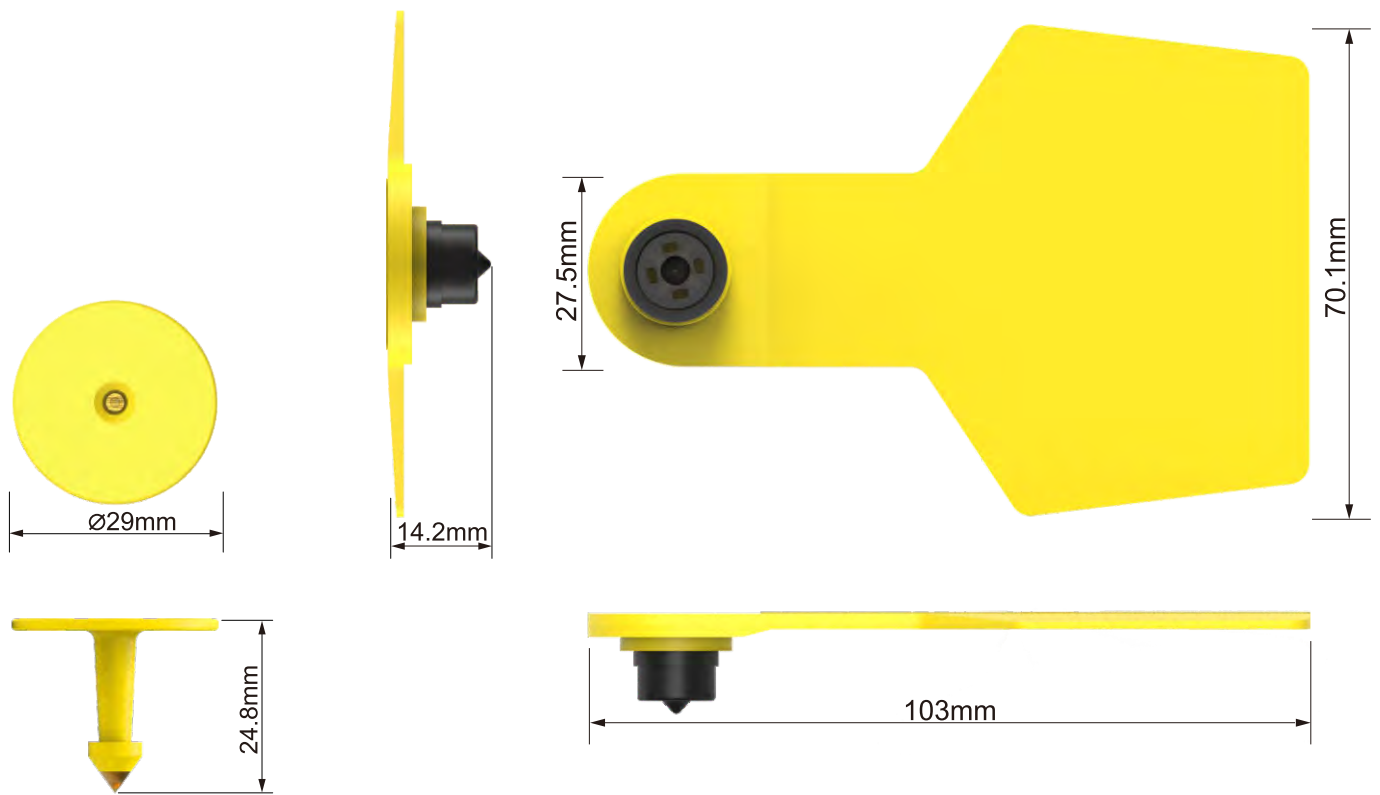
Physical Parameter

Size	Tag: 102×70×14.4mm(L×W×H), Stud: Dia 29×24.8mm
Color	Yellow, other color customized
Antenna Material	PET+ Aluminum Etching
Surface Material	TPU AAA, soft, non-toxic, Anti-microbial, UV-light proof and environmental friendly
Installation	Ear Tag Plier
Operating Temperature	-20℃ ~ +80℃
Operating Humidity	20% ~ 90%RH
Package	Ear tag&stud/set, 100sets/bag,10bags/carton
Customized Service	Laser printing, EPC Pre-written, Color, Laser Printing, Chip&Inlay

Picture



Size



Installation



 Application

- Livestock animal identification
- Sheep, pigs and dog's tracking
- Intelligent cow management

